



**PEUGEOT**  
SCOOTERS

# SPEEDFIGHT IIII



## SPEEDFIGHT IIII



N°	REFERENCE	DESIGNATION
1	A06352XX	34L TOP BOX – MATCHING VEHICLE COLOR
2	A06353	PASSENGER BACKREST FOR 34L TOP CASE
3	A05641XX	30L TOP BOX – MATCHING VEHICLE COLOR
4	A06350N	34L TOP BOX – BLACK
5	A05622	30L TOP BOX – BLACK
6	A06100	REAR LUGGAGE CARRIER
7	A06115	SMARTPHONE MOUNTING KIT
8	773417N	CARBON SHOCK ABSORBER

•Pictures may differ from actual products.

•Our accessories may suit various scooter even if shown on one particular model. Ask your retailer for further informations.



OFFICIAL PARTNERS

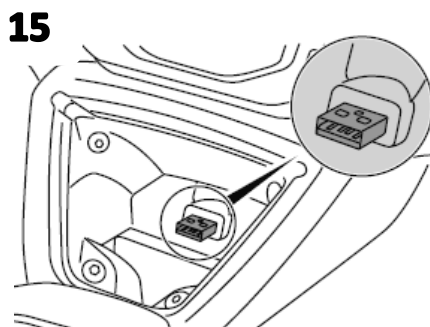


**PEUGEOT**  
SCOOTERS

# SPEEDFIGHT



## SPEEDFIGHT



N°	REFERENCE	DESIGNATION
9	A06102	HIGH WINDSHIELD WITH HAND GUARDS
10	A08106	PAIR OF HANDGRIP COVERS
11	A06101	SET OF SHORT WINDSHIELD AND PAIR OF HAND GUARDS
12	A06111	ALUMINIUM FOOTREST SET
13	A06114NK	PASSENGER SEAT SHELL
14	A06114F8	PASSENGER SEAT SHELL
15	788550	USB STRAP
16	A06103	SIDE STAND SET

• Pictures may differ from actual products.

• Our accessories may suit various scooter even if shown on one particular model. Ask your retailer for further informations.



OFFICIAL PARTNERS